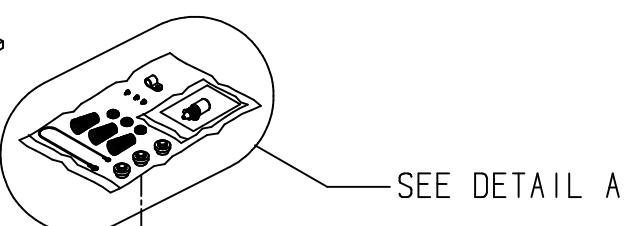
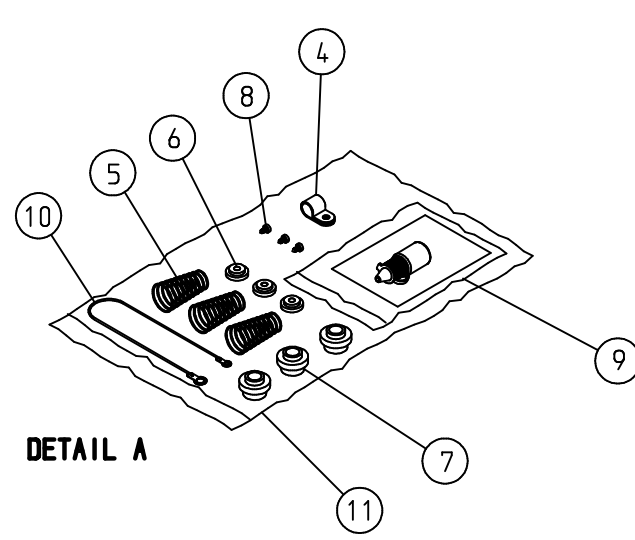
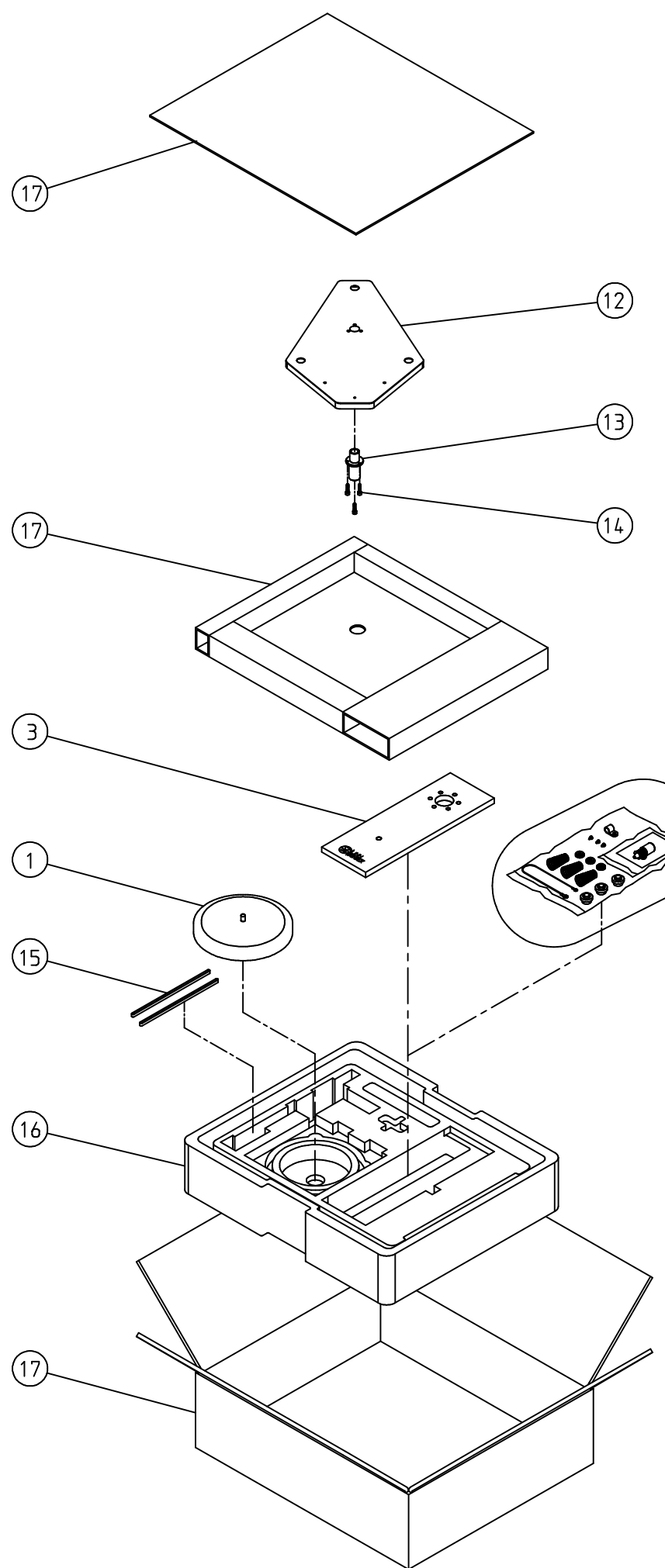


REV.	ALTERATIONS	DATE	INIT.
1	ADDED CARDBOARD/POLYSTYRENE PACKING. CRF 7126.	25NOV98	CH (SHM)



ITEM	PART NO.	DESCRIPTION	QTY
	TAPE 002	LINN LOGO TAPE	0.01
	PACK 707	LP12 UPGRADE MANUAL	1
17	PACK 705	CARDBOARD BOX PLUS INSERTS	1
16	PACK 023	SET OF POLYSTYRENE PACKING	1
15	2C-050	DRIVE BELT	2
14	MECH 055	M4 X 10 CAP SCREW	3
13	70-002/1	BEARING HOUSING	1
12	70-059/1	SUBCHASSIS	1
11	2S-625	MINIGRIP BAG	1
10	7E-028	EARTH WIRE	1
9	LP12 OIL KIT	2.5ml OIL BOTTLE WITH INSTRUCTION SHEET	1
8	MECH 012	NO. 4 X 1/4 SELF TAPPING SCREW	3
7	2R-002	LARGE GROMMET	3
6	2R-001	SMALL GROMMET	3
5	2F-052	SUSPENSION SPRING	3
4	1C-012	P-CLIP	1
3	2W-121/P	EKOS ARMBOARD	1
2	2C-087	RED CAP	1
1	OPLAT/1	INNER PLATTER AND SPINDLE ASSEMBLY	1

LINN PRODUCTS LTD.
 FLOORS ROAD, WATERFOOT, EAGLESHAM, GLASGOW G76 0EP
 TELEPHONE 0141 307 7777
COPYRIGHT LINN PRODUCTS (® TRADE MARK)

TECHNICAL INFORMATION: DRAWINGS, DESIGN AND OTHER DATA SUPPLIED BY LINN ARE CONFIDENTIAL AND WILL NOT, WITHOUT THE PRIOR WRITTEN CONSENT OF LINN, BE DISCLOSED TO ANY THIRD PARTY AND WILL BE USED SOLELY FOR THE PURPOSE OF THE ORDER AND AT ALL TIMES REMAIN THE PROPERTY OF LINN.

THIRD ANGLE PROJECTION	UNIT OF MEASURE mm	SHEET NO. 1	NO. OF SHEETS 1	DATE 25NOV98	PART NO. SAME AS DRG
	SCALE NONE	MATERIAL SEE LIST	DRG. NO. LP12/UPGRADE		
DRAWN CWH	CHKD SHM	PASSED SHM	TITLE LP12 UPGRADE KIT		
			REV.1		